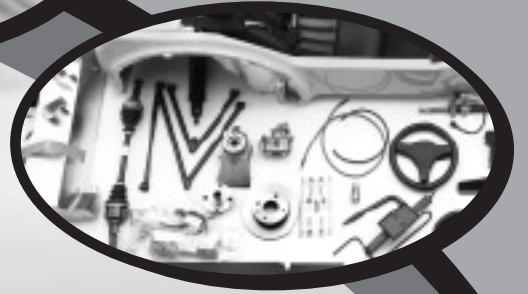


# Westfield Sportscars



*The ultimate driving experience*



## Starter Kit Price List



## Thank you very much for enquiring about Westfield Sportscars and welcome

Since 1982, Westfield Sportscars have been building cars that combine technology, design and passion...

Westfield Sports Cars offer models to suit everyone's needs and budget – so whether you're wanting a sunny weekend driving experience, a track day experience or an out and out race car, buying a Westfield will help you gain the ultimate in driving pleasure.

### About Westfield Sportscars

Westfield Sportscars, established in 1982, has produced many thousands of cars and kits. We lay claim to the title of "Europe's biggest component car manufacturer". Though an enviable title, Westfield does not intend to rest on our laurels. We are constantly improving our cars, developing many options and additions with which to further the desirability of the Westfield brand.



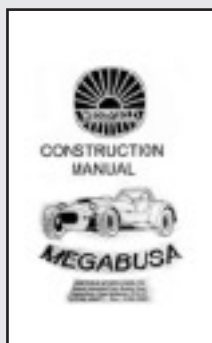
### Single Donor Vehicle - Recycle today!

Leaders in the Kit Car Market Westfield have introduced a kit car that recycles a car which would normally have been scrapped because of decayed body work.

The Westfield Single Donor Vehicles are based on the popular 1600 Mazda MX5 (year 1989 – 1995) and Ford Sierra Single Over Head Cam. On older production cars the can bodywork is now decaying beyond repair so they are becoming scrap. This is because it is not cost effective to replace or repair even though the running gear is in fine working order. With all the government publicity on recycling and the new "End of Life Vehicle regulations" coming in force in January 2006, Westfield believe that people are more aware of the importance of doing their bit for the environment. By encouraging people to recycle their own cars instead of the manufacturer, this will help towards the environment. So why not turn your car in to summer fun?

Westfield in house development team have taken a MX5 and a Sierra and recycled as much of the car possible in to a Westfield.

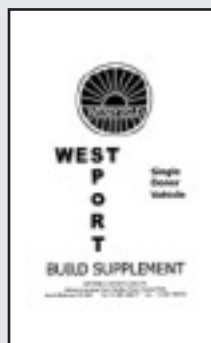
**Build Manuals £17.50** (refundable upon order.)



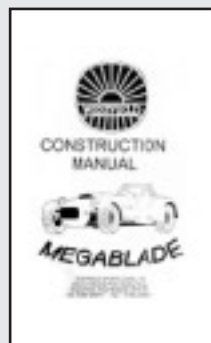
Megabusa



Zetec Carbs



SDV



Megablade



SEi



Zetec EFI



## to the start of your Westfield experience

### **Multi Donor Vehicle**

**Build a genuine Westfield including all parts with no hidden extras for only £7,265 including VAT.**

Because we eat sleep and breathe kit cars our highly trained staff will guide you through every part of your project. We provide honest building costs an excellent back-up service and packages tailor made for you.

### **Models Available:**

Mazda Power – donor vehicle Mazda MX5 (pre 1995, 1600)

### **Donor Components needed:**

Engine and Gearbox – complete  
Air box and air flow meter  
Complete wiring loom  
Instrument panel Cluster  
Upper steering column complete  
Lower steering column (needs to come to WSC for modification)  
Differential  
Rear uprights, hubs, discs and callipers  
Handbrake lever and cables  
Steering rack track rod end joints and nuts  
Wheels and tyres and wheel nuts  
Propshaft (needs modifying but not by WSC)  
Driveshafts including joints, lock nuts and hub nuts  
Front bottom ball joints including castle nuts  
Horns  
Cooling Fan  
Side Repeaters  
Fuel filter and bracket  
Carbon Canister, pipe work and mounting bracket  
Catalyst converter  
Interior mirror  
Screen washer bottle and pump  
Battery  
V5



### **Multi Donor Vehicle**

This is the traditional way of building a kit car and is available for those enthusiasts who enjoy sourcing their own components from a variety of sources.

Common places of component purchases include the Westfield parts department, auto jumbles, shows, motor factors other suppliers. These cars are registered with a Q-plate.

### **Engine options:**

You can use the following engines to build your Westfield Starter Kit

Pinto / OHC – 2.0  
Vauxhall 16V – 2.0  
Zetec – 1.8 & 2.0  
Rover V8 – 3.5 & 3.9 (SEi V8 Chassis Only)  
Ford Duratec I4 – 1600 & 2000 (SEi Only)  
Honda Fireblade – 900 (SEi Mega Chassis Only)  
Suzuki Hayabusa – 1300 (SEi Mega Chassis Only)





## Standard Starter Kit

# £3,575

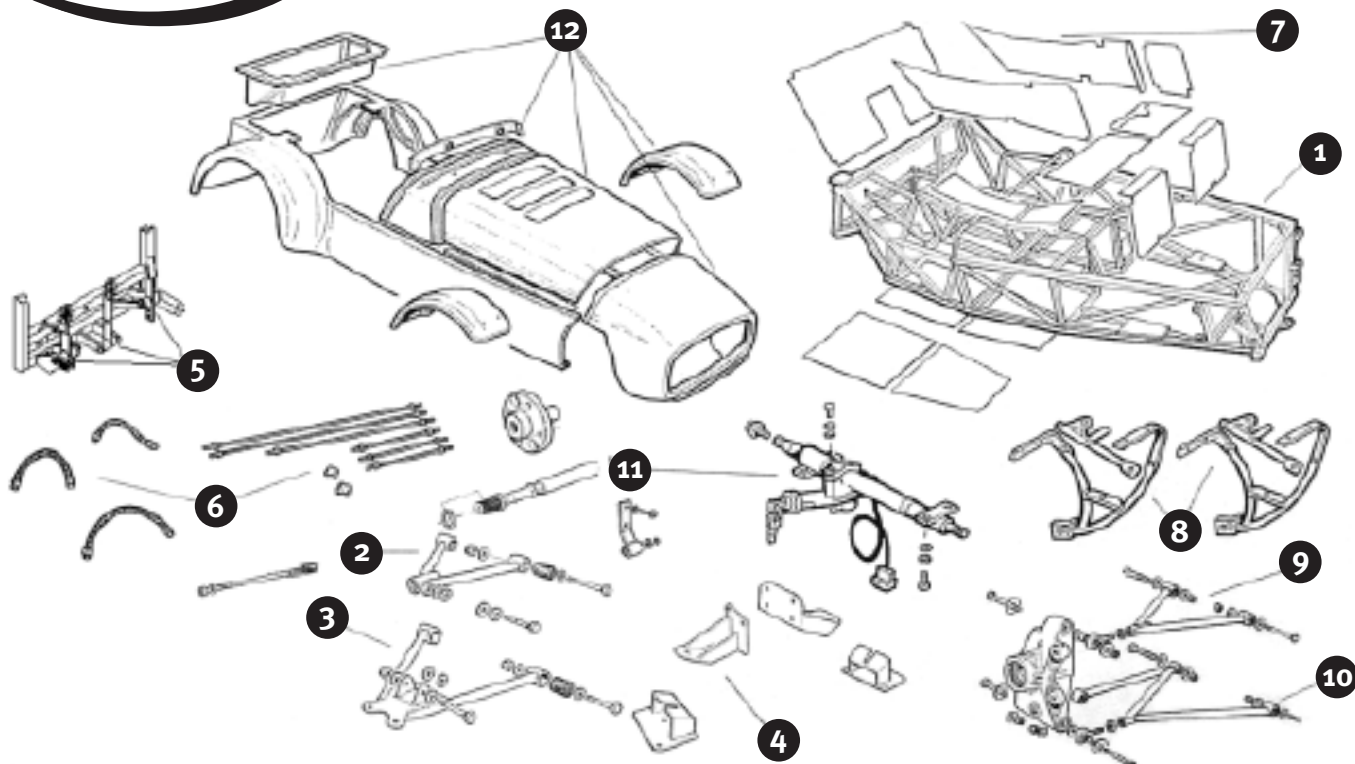
including VAT

## Engine Options

- Xflow / OHV – 1700
- Pinto / OHC – 2.0
- Vauxhall 16V – 2.0
- Zetec – 1.8 & 2.0
- Ford Duratec I4 – 2.0

## Transmission Options

- Type 9 Sierra
- Ford MT 75
- 5 Speed Mitchell Cotts (Duratec only)


**Items included in the  
STANDARD STARTER kit**

- 1 SPACE FRAME CHASSIS
- 2 TOP FRONT WISHBONES
- 3 BOTTOM FRONT WISHBONES
- 4 ENGINE MOUNTING BRACKETS
- 5 PEDAL BOX INC. MASTER CYLINDER/FLOOR MOUNTED
- 6 BRAKELINES, AEROQUIP & TEE PIECE
- 7 ALUMINIUM PANEL SET INC.  
FLOORPLAN, SEAT-BACK, TUNNEL & SCUTTLE  
NUTS, BOLTS, RIVETS & SUSPENSION BUSHES  
& CHASSIS PLATE
- 8 WING BRACKETS  
REAR DISC BRAKE UPRIGHTS  
WESTFIELD BAR SHAFT WITH CIRCLIPS  
HUBS WITH STUDS  
HANDBRAKE CABLE
- 9 BOTTOM REAR WISHBONES
- 10 TOP REAR WISHBONES
- 11 TOP STEERING COLUMN AND LOCK 4 x SPHERICAL JOINTS
- 12 BODY KIT- REAR BODY SECTION,  
SCUTTLE, BONNET NOSE, SCREEN FILLET,  
WINGS, BOOT BOX, BADGES

**Available Additional  
ITEMS and SERVICES**
**Extra  
Cost**

FW BODY SHAPE .....	£450.00
DETACHABLE ARCHES (UPGRADE) .....	£235.00
LOCKING BOOT LID .....	£350.00
REAR VALANCE.....	£117.50
AERO SCREEN & PERSPEX .....	£235.00
CHASSIS STANDS (6102004).....	£50.53
SHOT BLAST & POWDER COATING OF CHASSIS (0618004) .....	£199.00
POWDER COATING OF SUSPENSION PARTS IN STARTER KIT (0618012) .....	£75.00
FIT AND SEALING OF ALUMINIUM PANELS (0677127) .....	£270.00
FIT SUSPENSION BUSHES TO WISHBONES IN STARTER KIT (0677098) .....	£45.00
FIT BRAKE LINES TO CHASSIS (0677004).....	£85.00
FIT 1 FUEL LINE TO CHASSIS (0677039) .....	£30.00
FIT 2 FUEL LINES TO CHASSIS (0677047) .....	£60.00
FIT SPRINGS TO SHOCK ABSORBERS (0677119) .....	£25.00
FIT WESTFIELD WIRING LOOM (0677112) .....	£84.60
FIT RIVNUTS TO CHASSIS (0677020) .....	£40.00
EXTERIOR PANELS SEIW (1420000) .....	£39.95



**Engine Options**

**8** Rover V8 – 3.5 & 3.9 (SEi)

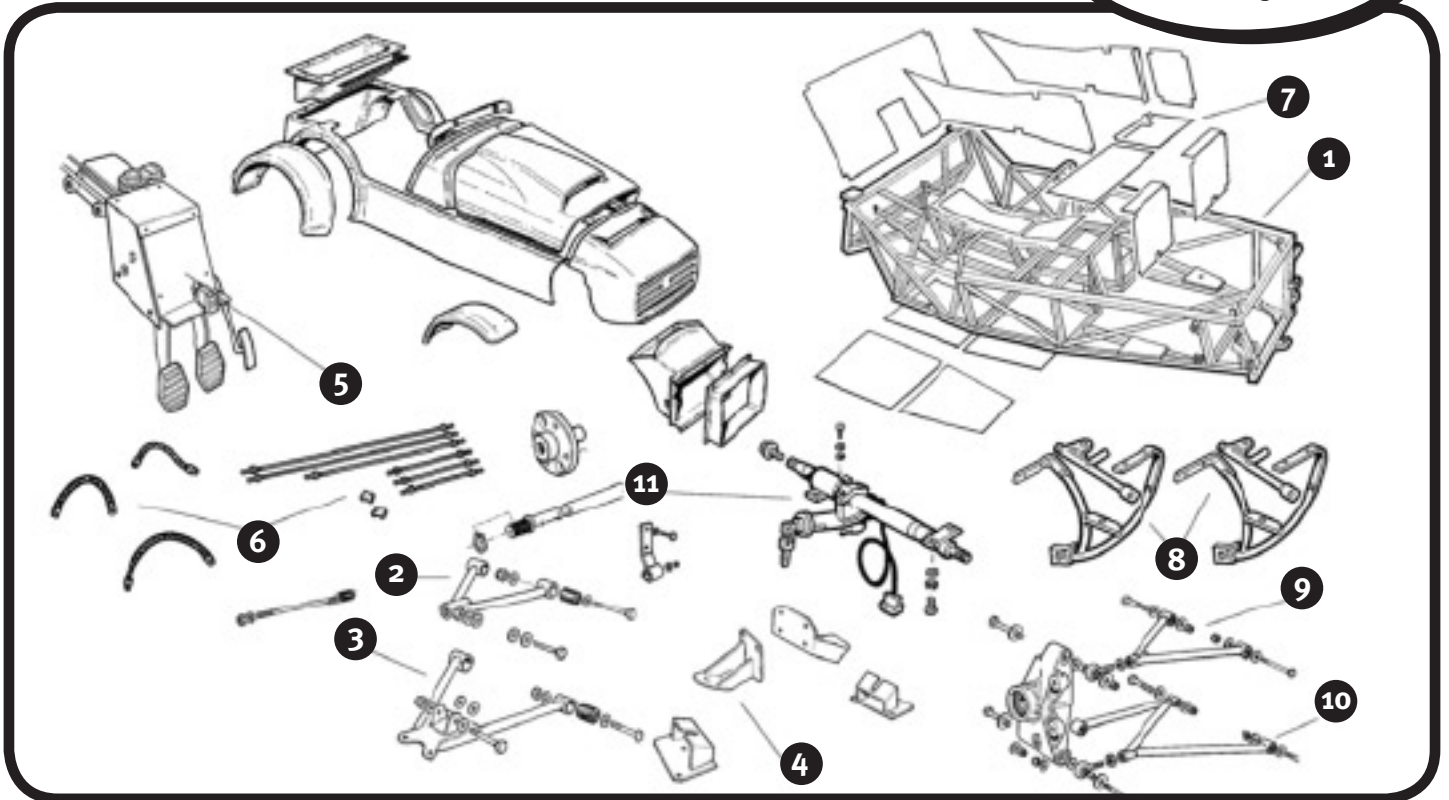
**Transmission Options**

SD1  
T5  
R380

**Standard Starter Kit**

**£3,995**

including VAT



**Items included in the STANDARD STARTER kit**

- 1 SPACE FRAME CHASSIS
- 2 TOP FRONT WISHBONES
- 3 BOTTOM FRONT WISHBONES
- 4 ENGINE MOUNTING BRACKETS
- 5 PEDAL BOX INC. MASTER CYLINDER / TOP MOUNTED
- 6 BRAKELINES, AEROQUIP & TEE PIECE
- 7 ALUMINIUM PANEL SET INC. FLOORPLAN, SEAT-BACK, TUNNEL & SCUTTLE NUTS, BOLTS, RIVETS, SUSPENSION BUSHES & CHASSIS PLATE
- 8 WING BRACKETS REAR DISC BRAKE UPRIGHTS WESTFIELD BAR SHAFT WITH CIRCLIPS HUBS WITH STUDS HANDBRAKE CABLE
- 9 TOP REAR WISHBONES
- 10 LOWER REAR WISHBONES
- 11 TOP STEERING COLUMN COMPLETE WITH LOCK 4 x SPHERICAL JOINTS BODY KIT- REAR BODY SECTION, SCUTTLE, BONNET, NOSE, SCREEN FILLET, WINGS, BOOT BOX & BADGES

**Available Additional ITEMS and SERVICES**

**Extra Cost**

- LOCKING BOOT LID ..... £350.00
- REAR VALANCE..... £117.50
- AERO SCREEN & PERSPEX..... £235.00
- CHASSIS STANDS (6102004)..... £50.53
- SHOT BLAST & POWDER COATING OF CHASSIS (0618004) ..... £199.00
- POWDER COATING OF SUSPENSION PARTS IN STARTER KIT (0618012)..... £75.00
- FIT AND SEALING OF ALUMINIUM PANELS (0677127) ..... £270.00
- FIT SUSPENSION BUSHES TO WISHBONES IN STARTER KIT (0677098)..... £45.00
- FIT BRAKE LINES TO CHASSIS (0677004)..... £85.00
- FIT 1 FUEL LINE TO CHASSIS (0677039) ..... £30.00
- FIT 2 FUEL LINES TO CHASSIS (0677047) ..... £60.00
- FIT SPRINGS TO SHOCK ABSORBERS (0677119) ..... £25.00
- FIT WESTFIELD WIRING LOOM (0677112) ..... £84.60
- FIT RIVNUTS TO CHASSIS (0677020) ..... £40.00
- EXTERIOR PANELS SEW (1420000) ..... £39.95

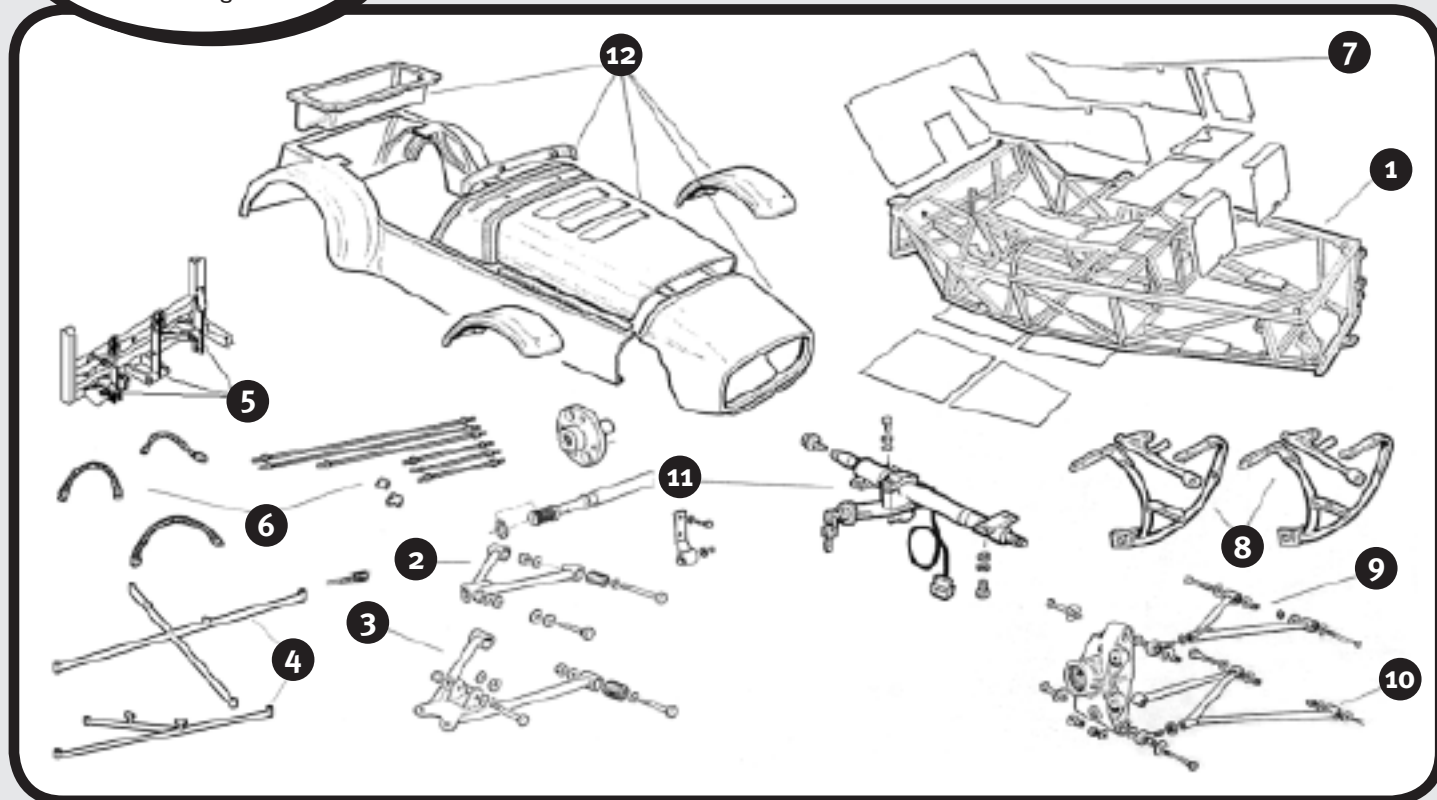
**Please note:** The body is supplied with detachable arches and ducted nose.

**Engine Options**

- F** Honda Fireblade – 900
- H** Suzuki Hayabusa – 1300

**Standard Starter Kit****£3,895**

including VAT

**Items included in the STANDARD STARTER kit**

- 1 SPACE FRAME CHASSIS
- 2/3 TOP AND BOTTOM FRONT WISHBONES
- 4 ENGINE MOUNTING BRACKETS
- 5 PEDAL BOX INC. MASTER CYLINDER / FLOOR MOUNTED
- 6 BRAKELINES, AEROQUIP & TEE PIECE
- 7 ALUMINIUM PANEL SET  
INC. FLOORPLAN, SEAT-BACK, TUNNEL & SCUTTLE  
NUTS, BOLTS, RIVETS, SUSPENSION BUSHES &  
CHASSIS PLATE
- 8 WING BRACKETS  
REAR DISC BRAKE UPRIGHTS  
WESTFIELD BAR SHAFT C/W CIRCLIPS  
HUBS C/W STUDS  
HANDBRAKE CABLE
- 9 BOTTOM REAR WISHBONES
- 10 TOP REAR WISHBONES
- 11 TOP STEERING COLUMN C/W LOCK  
4 x SPHERICAL JOINTS
- 12 BODY KIT- REAR BODY SECTION, SCUTTLE, BONNET,  
NOSE SCREEN FILLET, WINGS, BOOT BOX, BADGES

**Available Additional ITEMS and SERVICES****Extra Cost**

DETACHABLE ARCHES (UPGRADE) .....	£235.00
LOCKING BOOT LID .....	£350.00
REAR VALANCE.....	£117.50
AERO SCREEN & PERSPEX.....	£235.00
CHASSIS STANDS (6102004).....	£50.53
SHOT BLAST & POWDER COATING OF CHASSIS (0618004) .....	£199.00
POWDER COATING OF SUSPENSION PARTS IN STARTER KIT (0618012).....	£75.00
FIT AND SEALING OF ALUMINIUM PANELS (0677127) .....	£270.00
FIT SUSPENSION BUSHES TO WISHBONES IN STARTER KIT (0677098).....	£45.00
FIT BRAKE LINES TO CHASSIS (0677004).....	£85.00
FIT 1 FUEL LINE TO CHASSIS (0677039) .....	£30.00
FIT 2 FUEL LINES TO CHASSIS (0677047) .....	£60.00
FIT SPRINGS TO SHOCK ABSORBERS (0677119) .....	£25.00
FIT WESTFIELD WIRING LOOM (0677112) .....	£84.60
FIT RIVNUTS TO CHASSIS (0677020) .....	£40.00
EXTERIOR PANELS SEiW (1420000) .....	£39.95



### Engine Options

- X** Xflow / OHV – 1700
- P** Pinto / OHC – 2.0
- V** Vauxhall 16V – 2.0
- Z** Zetec – 1.8 & 2.0
- D** Ford Duratec I4 – 2.0

- B** Rover V8 – 3.5 & 3.9
- F** Honda Fireblade – 900
- H** Suzuki Hayabusa – 1300

### Transmission Options

Suitable for all standard transmission options.

### Standard Starter Kit

**£7,450**  
including VAT

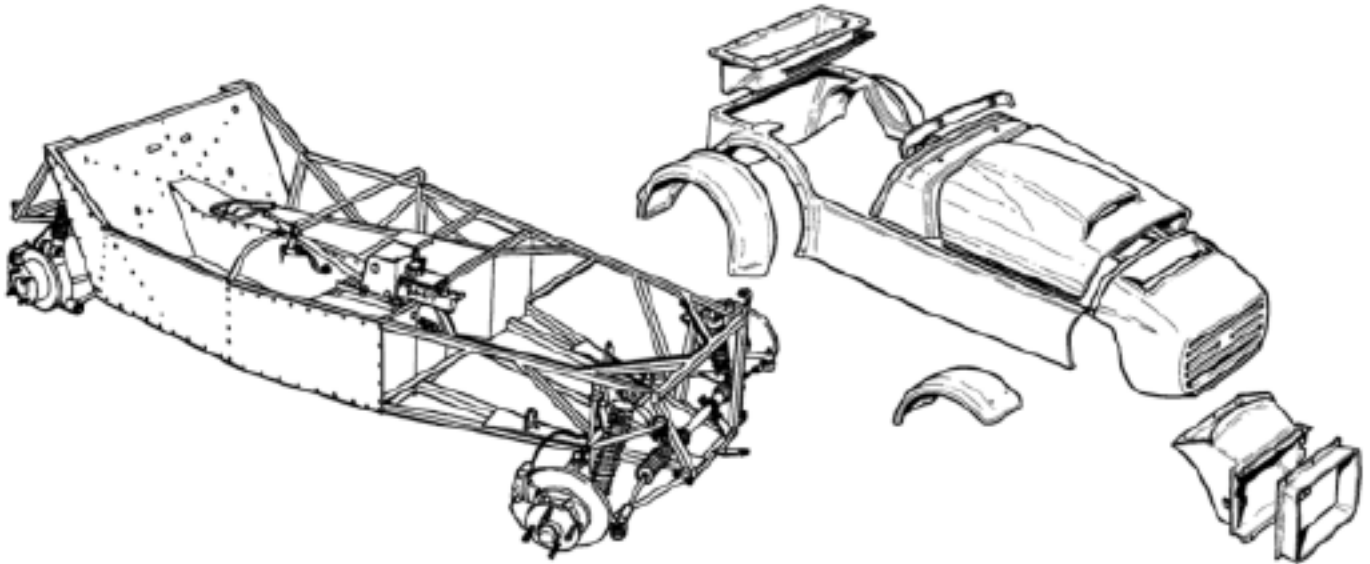


Illustration includes V8 upgrade option

### Items included in the STANDARD STARTER kit

- CHASSIS/BODY KIT
- POWDER COATED CHASSIS AND SUSPENSION
- ALUMINIUM PANELS FITTED
- EXTERIOR PANELS FITTED
- PEDAL BOX, MASTER CYLINDER AND BRAKE PIPES FITTED
- AEROQUIP FLEXIBLE HOSES FITTED
- STEERING RACK FITTED UPPER STEERING COLUMN & LOCK
- LOWER STEERING COLUMN

### Front suspension assembled and fitted - including:

- UPRIGHTS
- HUBS
- DISCS
- CALIPERS
- FRONT WISHBONES,
- BALL JOINTS
- TRACK ROD ENDS,
- SHOCK ABSORBERS
- SPRINGS

### Rear suspension assembled and fitted – including:

- NEW REAR UPRIGHTS & WISHBONES
- DISC BRAKE REAR SUPPLIED & FITTED
- HANDBRAKE AND CABLES FITTED
- BODYWORK IN PLACE, NOT FIXED BUT READY FOR FITTING

### Available Additional ITEMS and SERVICES

### Extra Cost

V8 UPGRADE OPTION.....	£256.25
BIKE ENGINE UPGRADE OPTION .....	£299.00
LOCKING BOOT LID .....	£350.00
REAR VALANCE.....	£235.00
AERO SCREEN & PERSPEX.....	£235.00
CHASSIS STANDS (6102004).....	£50.53



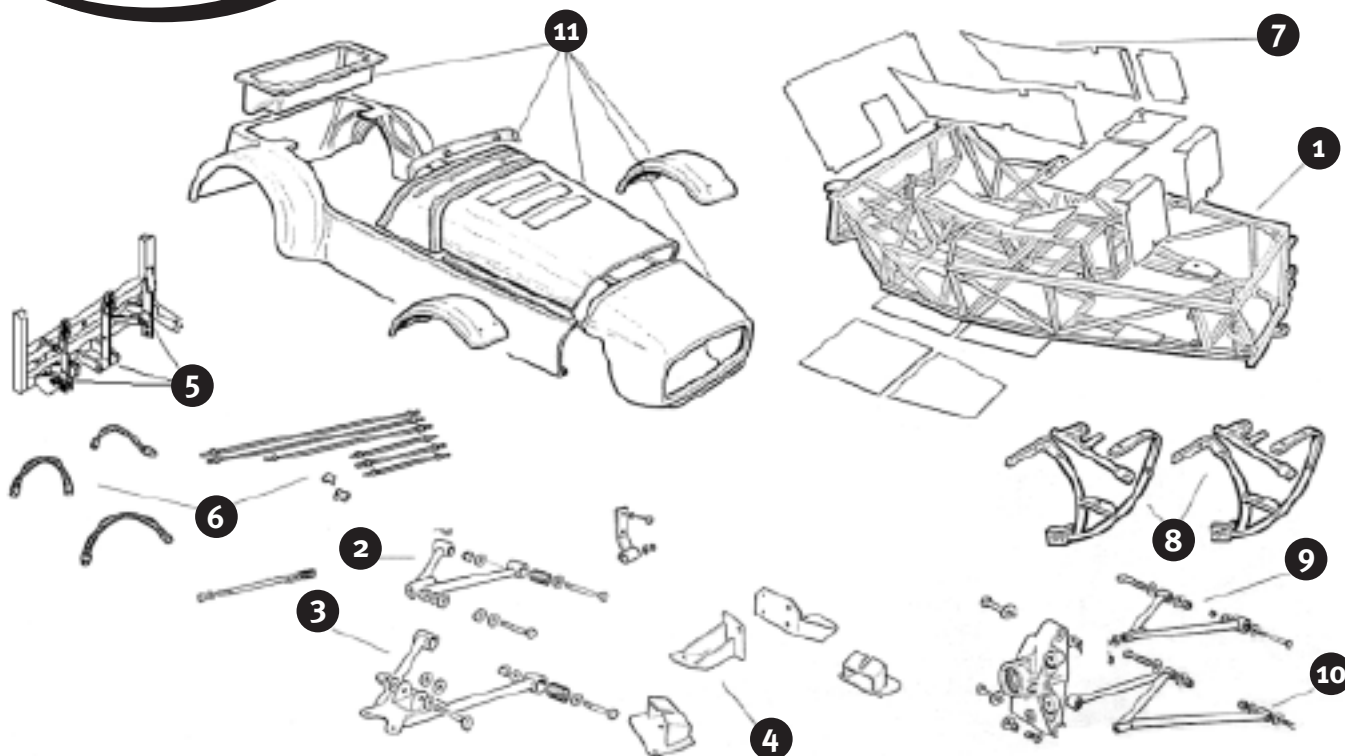
### Donor Vehicle Required

Mazda 1600 89-93  
Pinto

### Standard Starter Kit

## £2,995

including VAT



### Items included in the STANDARD STARTER kit

- 1 SPACE FRAME CHASSIS  
SPARE WHEEL CARRIER
- 2/3 TOP AND BOTTOM FRONT WISHBONES
- 4 ENGINE MOUNTING BRACKETS
- 5 PEDAL BOX INC. MASTER CYLINDER / FLOOR MOUNTED
- 6 BRAKELINES, AEROQUIP & TEE PIECE
- 7 ALUMINIUM PANEL SET INC. FLOORPLAN, SEAT-BACK,  
TUNNEL, SCUTTLE, NUTS, BOLTS, RIVETS, SUSPENSION  
BUSHES & CHASSIS PLATE
- 8 WING BRACKETS  
REAR UPRIGHTS – SIERRA ONLY  
HANDBRAKE CABLE
- 9 BOTTOM REAR WISHBONES
- 10 TOP REAR WISHBONES
- 11 BODY KIT  
REAR BODY SECTION  
SCUTTLE, BONNET, NOSE, SCREEN FILLET, WINGS,  
BOOT BOX, BADGES

**Please note:** On purchasing a Westfield SDV you will need to provide your front uprights and lower steering column for modification by Westfield (Pinto) and lower column for Mazda.

### Available Additional ITEMS and SERVICES

### Extra Cost

DETACHABLE ARCHES (UPGRADE) .....	£235.00
LOCKING BOOT LID .....	£350.00
REAR VALANCE.....	£117.50
AERO SCREEN & PERSPEX.....	£235.00
CHASSIS STANDS (6102004).....	£50.53
SHOT BLAST & POWDER COATING OF CHASSIS (0618004) .....	£199.00
POWDER COATING OF SUSPENSION PARTS IN STARTER KIT (0618012).....	£75.00
FIT AND SEALING OF ALUMINIUM PANELS (0677127) .....	£270.00
FIT SUSPENSION BUSHES TO WISHBONES IN STARTER KIT (0677098).....	£45.00
FIT BRAKE LINES TO CHASSIS (0677004).....	£85.00
FIT 1 FUEL LINE TO CHASSIS (0677039) .....	£30.00
FIT 2 FUEL LINES TO CHASSIS (0677047) .....	£60.00
FIT SPRINGS TO SHOCK ABSORBERS (0677119) .....	£25.00
FIT WESTFIELD WIRING LOOM (0677112) .....	£84.60
FIT RIVNUTS TO CHASSIS (0677020) .....	£40.00
EXTERIOR PANELS SEiW (1420000) .....	£39.95



## Items included in the SINGLE DONOR VEHICLE COMPLETION PACKAGE FOR MAZDA

**Please note:** Requires additional purchase of **SDV starter kit** and **1600 Mazda** donor vehicle to complete.

Full Package  
**£4,270**  
including VAT

SVA PLASTIC COVER KIT  
RACK MOUNTING KIT  
HOSE - 8MM BORE FUEL  
TRACK ROD END  
BALL JOINT SET  
FUEL PUMP KIT  
SHOCK ABSORBER SET  
STEERING RACK  
FASTENER KIT  
ALUMINIUM RADIATOR  
EXPANSION TANK  
EXPANSION TANK CAP  
WINDSCREEN WASHER, PUMP & TANK  
SHORT RANGE TANK STRAP  
FUEL TANK RETURN ADAPTOR 3/8"  
FUEL TANK  
RADIATOR MOUNTING BRACKET  
THERMOSTAT WASHER (FIBRE)  
EXPANSION TANK MOUNTING BRACKET  
FAN MOUNTING KIT  
PAIR OF INTERIOR PANELS - (VINYL COVER)  
FASTENER KIT  
WIPER WHEEL BOX  
WINDSCREEN WIPER MOTOR KIT  
WIPER RACK & TUBE SET  
WASHER TUBING  
WIPER SET (BLACK)  
WINDSCREEN WASHER JET (BLACK)  
WINDSCREEN & MOUNTING PILLARS (BLACK)  
REAR NO PLATE MOUNT (FIBREGLASS)  
FUEL HOSE (57mm / 2-1/4")  
FUEL CAP & INLET ASSEMBLY - UNLEADED  
WIRING GROMMETS  
FOG / REVERSE LAMP LEVELLING BRACKET  
HOSE CLAMPS  
COVER FOR WINDSCREEN WIPER MOTOR

INDICATOR POD (PLASTIC)  
WING MIRRORS - 1 PAIR (BLACK)  
NOSE GRILL (EXPANDED METAL)  
3 POINT SAFETY BELT  
ROLL BAR (BLACK)  
SILENCER - NON CAT (5 1/2" DIA)  
EXHAUST COVER (5 1/2" DIA)  
KICK STRIP - 1 PAIR (VINYL)  
ADJUSTABLE SPORT SEATS - 1 PAIR (VINYL)  
CARPET SET  
DASHBOARD  
CRASH PAD COVERED  
FASTENER KIT  
EXHAUST MANIFOLD DOWN PIPE  
BATTERY LEAD - POSITIVE  
BATTERY LEAD - NEGATIVE  
BATTERY CLAMP  
GEAR KNOB ALUM.WITH LOGO  
KICK STRIP - 1 PAIR (VINYL)  
ADJUSTABLE SPORT SEATS - 1 PAIR- (VINYL)  
CARPET SET  
DASHBOARD  
CRASH PAD COVERED  
FASTENER KIT  
GEAR KNOB ALUM.WITH LOGO  
BRAKE PIPE CLIPS  
TIE RAP CLIPS  
FUEL PIPE  
CLEVIS PIN  
LIGHT SET INCLUDING:  
HEADLAMPS (BLACK), FRONT INDICATORS, REVERSING LIGHT, SIDE  
INDICATORS, NUMBER PLATE LIGHT, REAR LIGHT UNIT & FOG LIGHT



**Donor Vehicle Required**

2.0 Single Overhead Cam Ford Sierra with Type 9 gearbox

**Full Package****£5,550**

including VAT

**Items included in the****SINGLE DONOR VEHICLE COMPLETION PACKAGE FOR SIERRA****Please note:** Requires additional purchase of **SDV starter kit** and **2.0 OHC Sierra** donor vehicle to complete.

SVA PLASTIC COVER KIT  
 RACK MOUNTING KIT  
 HOSE – 8MM BORE FUEL  
 TRACK ROD END  
 BALL JOINT SET  
 FUEL PUMP KIT  
 SHOCK ABSORBER SET  
 STEERING RACK  
 FASTENER KIT  
 HOSE-STRAIGHT ADAPTOR 5/8"-7/8"  
 ALUMINIUM RADIATOR  
 EXPANSION TANK  
 EXPANSION TANK CAP  
 FAN SENSOR SWITCH  
 WINDSCREEN WASHER, PUMP & TANK  
 SHORT RANGE TANK STRAP  
 FUEL TANK RETURN ADAPTOR 3/8"  
 FUEL TANK PLUG 1/4" NPTF  
 FUEL TANK + SENDER  
 RADIATOR MOUNTING BRACKET  
 THERMOSTAT WASHER (FIBRE)  
 EXPANSION TANK MOUNTING BRACKET  
 FAN MOUNTING KIT  
 BATTERY TRAY  
 COOLING FAN (280mm DIA)  
 PAIR OF INTERIOR PANELS – (VINYL COVER)  
 FASTENER KIT  
 WIPER WHEEL BOX  
 WINDSCREEN WIPER MOTOR KIT  
 WIPER RACK & TUBE SET  
 WASHER TUBING  
 WIPER SET (BLACK)  
 WINDSCREEN WASHER JET (BLACK)  
 WINDSCREEN & MOUNTING PILLARS (BLACK)  
 REAR NO PLATE MOUNT (FIBREGLASS)  
 FUEL HOSE (57mm / 2-1/4")  
 FUEL CAP & INLET ASSEMBLY – UNLEADED  
 WIRING GROMMETS  
 HANDBRAKE LEVER SEALING PAD  
 FOG / REVERSE LAMP LEVELLING BRACKET  
 HOSE CLAMPS  
 INDICATOR POD (PLASTIC)

COVER FOR WINDSCREEN WIPER MOTOR  
 WING MIRRORS – 1 PAIR (BLACK)  
 3 POINT SAFETY BELT  
 NOSE GRILL (EXPANDED METAL)  
 ROLL BAR (BLACK)  
 SILENCER – NON CAT (5 1/2" DIA)  
 EXHAUST COVER (5 1/2" DIA)  
 KICK STRIP – 1 PAIR (VINYL)  
 ADJUSTABLE SPORT SEATS – 1 PAIR- (VINYL)  
 CARPET SET  
 DASHBOARD  
 CRASH PAD COVERED  
 FASTENER KIT  
 EXHAUST MANIFOLD  
 PROPSHAFT  
 BATTERY LEAD – POSITIVE, BATTERY LEAD – NEGATIVE  
 BATTERY CLAMP  
 GEAR KNOB ALUM. WITH LOGO  
 STEERING WHEEL, HUB KIT & PAD (12" DIA)  
 INSTRUMENT SET (BLACK DIALS)  
 WIRING LOOM  
 BRAKE PIPE CLIPS  
 TIE RAP CLIPS  
 FUEL PIPE  
 CLEVIS PIN  
 HORN

**LIGHT SET INCLUDING:**

HEADLAMPS (BLACK), FRONT INDICATORS, REVERSING LIGHT, SIDE INDICATORS, NUMBER PLATE LIGHT, REAR LIGHT UNIT &amp; FOG LIGHT

**DASHBOARD KIT INCLUDING:**

HORN SWITCH, DIP / WIPER SWITCH, INDICATOR SWITCH, WINDSCREEN WIPER SWITCH, HANDBRAKE WARNING LIGHT, SIDE/HEADLIGHT SWITCH, FOG LIGHT SWITCH, WINDSCREEN WASHER SWITCH, FAN HEATER SWITCH, HEADLAMP WARNING LIGHT (BLUE), INDICATOR WARNING LIGHT (GREEN) &amp; DASHBOARD WARNING LIGHT (RED)





Here is a list of the major components that you will require to complete your build. Tick them when you've decided upon your chosen route, then tick them again when you have acquired the item.

The engine & drivetrain items are letter coded so that you can easily see which ones are compatible.

	SEiW	Choice	Notes
<b>ENGINE</b>			
<b>X</b> Xflow / OHV – 1700	●	<input type="checkbox"/>	.....
<b>P</b> Pinto / OHC – 2.0	●	<input type="checkbox"/>	.....
<b>V</b> Vauxhall 16V – 2.0	●	<input type="checkbox"/>	.....
<b>Z</b> Zetec – 1.8 & 2.0	●	<input type="checkbox"/>	.....
<b>B</b> Rover V8 – 3.5 & 3.9	●	<input type="checkbox"/>	.....
<b>D</b> Ford Duratec I4 – 1600 & 2000	●	<input type="checkbox"/>	.....
<b>F</b> Honda Fireblade – 900	●	<input type="checkbox"/>	.....
<b>H</b> Suzuki Hayabusa – 1300	●	<input type="checkbox"/>	.....
<b>GEARBOX</b>			
<b>X P</b> 1.6, 2.0 FOUR SPEED CORTINA	●	<input type="checkbox"/>	.....
<b>P Z</b> 1.6, 2.0 FORD SIERRA MT75 FORD	●	<input type="checkbox"/>	.....
<b>D</b> 5 SPEED MITCHELL COTTS	●	<input type="checkbox"/>	.....
<b>B</b> SD1 5 SPEED MANUAL	●	<input type="checkbox"/>	.....
<b>B</b> ROVER 380	●	<input type="checkbox"/>	.....
<b>X P D V Z</b> 5 SPEED TYPE 9	●	<input type="checkbox"/>	.....
<b>F H</b> WESTFIELD REVERSE GEARBOX	●	<input type="checkbox"/>	.....
<b>STEERING RACK</b>			
WESTFIELD PART ONLY	●	<input type="checkbox"/>	.....
WESTFIELD STEERING COLUMN	●	<input type="checkbox"/>	.....
WESTFIELD UNIVERSAL JOINT	●	<input type="checkbox"/>	.....
<b>FRONT SUSPENSION</b>			
UPRIGHTS CORTINA MK3/4/5 (require modification)	●	<input type="checkbox"/>	.....
UPRIGHTS SIERRA (require modification)	●	<input type="checkbox"/>	.....
WESTFIELD UPRIGHTS	●	<input type="checkbox"/>	.....
<b>REAR SUSPENSION</b>			
WESTFIELD SPECIAL FULLY INDEPENDENT REAR	●	<input type="checkbox"/>	.....
<b>SEi (INDEPENDENT REAR SUSPENSION)</b>			
SIERRA 'B' TYPE DIFFERENTIAL UNITS & DRIVE SHAFTS 7+7½" CASING	●	<input type="checkbox"/>	.....
FREELANDER LSD	●	<input type="checkbox"/>	.....
<b>BRAKES</b>			
REAR – ESCORT MK2	●	<input type="checkbox"/>	.....
DISC BRAKE REAR – SIERRA REAR CALIPERS AND FRONT ESCORT SOLID DISCS (MK. 3/4/5)	●	<input type="checkbox"/>	.....
DISC BRAKE REAR – VW MK4 GOLF	●	<input type="checkbox"/>	.....
WESTFIELD 4 POT FRONT CALIPERS	●	<input type="checkbox"/>	.....
<b>PROPSHAFT</b>			
WESTFIELD SPECIAL	●	<input type="checkbox"/>	.....



# We're putting the fact back into factory tour!

High quality cars at low cost, not low quality cars at high cost!!!



Every company likes to tell you they're great at what they do, but few take the time to throw their doors open and prove it. Westfield factory tours\* are entirely free and lay totally bare our commitment to innovation, quality and most importantly value for money. So why not take the time to visit and judge for yourself?

1. Observe at first hand the attention to detail that goes into every car and kit that we produce. From computer aided design through to manufacture and build.
2. Speak to our technical team be assured that their product knowledge is among the finest in the industry. Help, support and advice every step of the way.
3. Satisfy yourself that our Parts Department will be able to provide you with spares back up both now and for the long term future.
4. Get a full explanation of our pricing structure and **exactly** what you get for your money.
5. Take a test drive to consider what you've learned and to appraise our product for yourself.

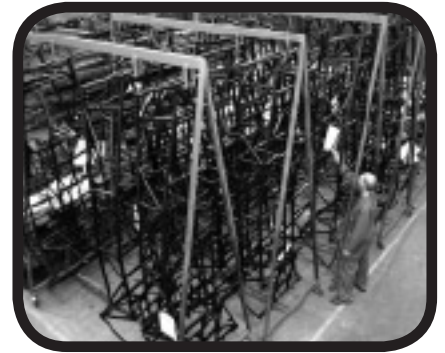
After that it's really up to you, but if you're considering a car as individual as a Westfield then your decision will be an informed one based entirely on **fact!** True quality isn't as pricey as "they" would have you believe!



### **Factory Built Westfields**

We provide a full range of our kits ready for the road. Complete in every way, with your choice of trim and accessories.

Every car is meticulously hand built by our fully qualified technicians to the very highest standards.



Every aspect of the build is fully documented and quality checked before your car is delivered. Ensuring that your Westfield is every bit as good as you expect it to be.

The build takes approximately ten weeks and you are welcome to visit our production facility at any time to check on progress and discuss your individual requirements.

### **Module Kits**

Module kits are specially designed to make building your Westfield less demanding. Hours spent on the telephone locating parts can be better used in the garage! The only other things that you will need are time, tools, fuel, oil and Single Vehicle Approval.

We have taken each model and broken it down into six (5 in the case of the SEiGHT) separate stages. These are offered in logical progression allowing you to complete multiple stages of the build using each module kit. This enables you to get the right parts at the right time and ensures that your budget is maximised by not buying parts that you won't require until much later in the build. We sell the following models in complete self-build "module form": 1600 range, 2000 range and SEiGHT.

Module kits are an excellent way to progress if you wish to ensure that your Westfield is eligible for a new registration plate upon completion.

### **Megabusa and Megablade Complete Kits**

These kits are sold in their entirety less engine, gearbox, wheels and tyres. As the power units are obviously motorcycle derived, it allows you to source your own locally with either a motorcycle parts specialist or a breaker. Naturally, Westfield offer a wide range of wheel and tyre options which are constantly changing. Please contact us for details of our very latest selection.

If you would like more information on our factory built options, module kits, or complete kits, please contact our sales department for a brochure.





## WESTFIELD SPORTS CARS LIMITED TERMS AND CONDITIONS OF SUPPLY

In these terms and conditions ("Conditions") "WSC" means Westfield Sports Cars Limited; "the goods" means any item of whatsoever nature or part thereof of service which is to be sold or supplied by Westfield; the vehicle means any vehicle comprising all or any of the goods; "the Customer" means the person who buys or has agreed to buy the goods.

### 1. ACCEPTANCE OF ORDERS

- 1.1 WSC contracts for the supply of goods and/or services only subject to these Conditions and all terms and conditions in the Customer's order or enquiries inconsistent therewith shall be of no effect.
- 1.2 The placing of an order following a quotation given by WSC shall not be binding on WSC unless and until accepted by WSC in writing.
- 1.3 The terms and conditions contained herein shall constitute the entire agreement between WSC and the Customer and any modification to these Conditions will be binding only if it is evidence in writing signed on behalf of WSC and such evidence contains a specific reference to these Conditions being modified.
- 1.4 In no circumstances shall the Customer cancel a contract to which these Conditions apply without WSC's written agreement and in particular WSC shall not be obliged to accept returned goods unless specifically agreed to in writing by WSC and subject always to the Customer paying a handling charge. If WSC agrees to the Customer cancelling a contract the Customer will indemnify WSC against all losses (including loss of profit) suffered by WSC arising out of such cancellation.
- 1.5 All specifications, illustrations, colours, drawings and diagrams in WSC's catalogues, trade literature and other published matter are of a generally informative nature and are approximate only and none of these form part of any contract or give rise to any independent or collateral liability of whatsoever nature on the part of WSC and WSC shall be under no liability whatsoever for inaccuracies, changes or alterations in specification, dimensions or measurements given, quoted or made by it.

### 2. ESTIMATES AND PRICES

- 2.1 Unless otherwise stated in writing the prices estimated or quoted by WSC are exclusive of packaging freight and insurance charges, charges for delivery, VAT and other applicable taxes, duties or levies of any kind whatsoever, all of which are payable in addition by the Customer.
- 2.2 Any date for collection quoted by WSC is an estimate only and WSC will in no circumstances be under any liability whatsoever for any failure to make the goods available for collection on any such date.

### 3. PAYMENT

- 3.1 The time of payment shall be of the essence of any contract to which these Conditions apply and unless otherwise expressly stated payment shall be due as follows: 20% deposit on signing contract, a further 30% for factory built cars and kits over £5,000.00 in value at 4 weeks, the final balance payment 7 days prior to collection.
- 3.2 The Customer shall not be entitled to make deduction from any payment due to WSC in respect of any set-off or counter-claim unless both the validity and the amount thereof have been expressly admitted in writing by WSC.
- 3.3 Without prejudice to any other rights, failure to pay the price or part thereof of other monies payable by the Customer will also entitle WSC at WSC's sole discretion either to refuse to make delivery of the goods or a further consignment of any goods agreed to be supplied or to cancel any contract to which these Conditions apply, either in whole or part, by notice in writing to the Customer and without incurring any liability to the Customer for any loss caused by such delay or cancellation.
- 3.4 Where a Customer offers for payment a cheque or cheques that is not honoured the Customer will be invoiced with any bank charges charged to WSC by reason thereof.
- 3.5 If the payment of the price or any part thereof and of all other sums payable by the Customer is not made on the due date WSC, without prejudice to its other rights hereunder, shall be entitled to charge in addition to any monies due hereunder interest on the outstanding amount at the rate per annum of 4 per cent above the base rate from time to time of WSC's bankers calculated on a daily basis until payment is made.

### 4. TRANSFER OF PROPERTY

The goods shall remain the sole and absolute property of WSC as legal and beneficial owner and WSC reserves the right to dispose of the goods until such time as payment in full for all the goods the subject of a contract to which these Conditions apply together with the full price of any other goods the subject of any other contract with WSC has been received by WSC.

### 5. RISK AND INSURANCE

- 5.1 Subject as hereinafter provided the goods are at the Customer's sole risk (and the Customer shall be under a duty to insure the goods to their full value) from the occurrence of the first point in time of any of the following events: -
  - (a) The passing of property to the Customer as provided for in Condition 4 of these Conditions; or
  - (b) The physical delivery of the goods to the Customer's place of business by WSC; or
  - (c) The physical delivery of the goods to the Customer's carrier or to an independent carrier for the purpose of transmission to the Customer or his nominee.
- 5.2 WSC will be under no obligation to effect insurance of the goods once risk has passed to the Customer.

### 6. COLLECTION

- 6.1 Time of collection shall not be of the essence. Orders will be made available for collection as soon as reasonably practicable and WSC reserves the right to deliver by instalments in such quantities as WSC thinks fit.
- 6.2 WSC shall endeavour to inform the Customer (or his nominated agent) as soon as the goods are ready for collection.
- 6.3 Where the goods are made available for collection in instalments, each instalment shall be construed as constituting a separate contract to which all the provisions of these Conditions shall (with any necessary alterations) apply.
- 6.4 In the event of any failure to make the goods available for collection or delay making the goods available for collection, the Customer shall have no claim whatsoever against WSC for any indirect or consequential loss or damage of any kind.
- 6.5 Without prejudice to any rights of WSC hereunder, if the Customer shall fail to collect the goods seven days following the date on which WSC informs the Customer that the goods are ready for collection the Customer shall pay to WSC all storage and other costs of whatever nature incurred or rising from such failure.
- 6.6 Deviations in quantity or goods delivered from those stated in any contracts to which these Conditions apply shall not give rise to a right to reject on the part of the Customer and the Customer shall have no right to claim for damages for breach of contract but the Customer will only be obliged to pay at the contract rate for the goods delivered.

### 7. LIMITATION OF LIABILITY

- 7.1 The sole liability of WSC in respect of any defect in or failure or any goods or vehicle supplied or for any shortage in quantity of goods delivered or for any loss, injury or damage attributable, directly or indirectly, thereto (other than in respect of death or personal injury resulting from the gross negligence of WSC or its servants or agents) is limited to a period of 12 calendar months only from the date upon which the goods are delivered and limited to: -
  - (a) making good by replacement or (at the option of WSC); or
  - (b) repairing defects or failures which under proper use appear therein.
 In addition WSC must be reasonable satisfied that such defects or failure arose solely from the faulty design of the goods, defective materials used or workmanship. Provided however that no liability shall attach to WSC: -

- (i) unless WSC is notified promptly in writing of the alleged defect or failure and in the case of shortage within 7 days of collection and a copy of the original purchase invoice is provided to WSC;
  - (ii) if WSC shall so require, the defective good or part thereof are promptly returned to WSC carriage paid and in such case, the Customer shall collect the goods in accordance with Clause 6 following repair, replacement or otherwise by WSC;
  - (iii) no repair alteration or remedy is made to the goods or the vehicle without the express written permission of WSC;
  - (iv) WSC will not be liable for any loss or damage whatsoever arising out of the use of all or part of the goods or vehicle in any form of motor sport, track days or for any purpose other than that for which they were intended; vehicles intended for particular use must follow the strict maintenance and service guidelines that are available from WSC; and WSC will not be liable in relation to colour fastness or colour matching of original or replacement glass fibre panels.
- 7.2 If, without the prior written consent of WSC, any repairs, modifications or alterations whatsoever are made to the goods or to the vehicle, WSC shall be under no liability whatsoever in respect of the goods or vehicle or any reduction in performance or safety of the vehicle caused as a result of such unauthorised repairs, modifications or alterations.
  - 7.3 The acceptance of liability contained in Clause 7.1 is given on the condition that the goods are used and the vehicle constructed in accordance with the manufacturers' instruction manual and without prejudice to the foregoing the use by the Customer of all parts recommended by WSC and where the goods are not so used and the vehicle is not so constructed WSC will be under no liability whatsoever in respect of the goods, performance or safety of the vehicle.
  - 7.4 All, if any, statements, recommendations, measurements, dimensions, specifications and advice given or made (whether before or after any contract to which these Conditions apply) by WSC or WSC's servants or agents to the Customer or its servants or agents as to any matter relating to the goods or the vehicle are given without liability whatsoever on the part of WSC and WSC hereby represents and warrants to the Customer that no representation has been made to WSC by or on behalf of the Customer before entering into any contract to which the Conditions apply and that no representation made to WSC by or on behalf of the Customer before entering into such contract has in any way induced WSC to enter into such contract and the customer makes and gives the like representations and warranties (mutatis mutandis) to WSC as WSC makes and gives to the Customer as above.
  - 7.5 WSC may in its absolute discretion refund the price of goods subject to the conditions contained in Clauses 7.1, 7.2 and 7.3 where such goods are in a saleable condition (to exclude special order Trim and Parts which are non-returnable). Such refunds will be subject to a 15% handling charge which shall be deducted from the purchase price paid by the Customer as shown in the original invoice by WSC to the Customer.
  - 7.6 Except as provided in sub-paragraph 1 and 2 above, all representations, guarantees, undertakings, conditions or warranties, expressed or implied, statutory or otherwise in relation to the goods are hereby expressly excluded PROVIDED ALWAYS that the statutory rights of the Customer in the case of a consumer sale shall remain full force and effect. WSC will in no circumstances refund any monies paid by the Customer or replace any goods except in accordance with this Clause 7.
  - 7.7 Without prejudice to the foregoing, WSC shall in no circumstances be liable: -
    - (a) for any indirect or consequential loss (including without limitation loss of production, loss of profit or liability to third parties) suffered or incurred by the Customer or others; or
    - (b) for any loss or damage in excess of the contract price for the goods or part thereof in respect of which a claim is made.
    - (c) for any malfunction or non-function of any goods to the extent that this is caused by incorrect installation or maintenance strictly in accordance with WSC's instructions.

### 8. INDEMNITY

The Customer shall (and shall ensure that any third party to whom the goods may subsequently be supplied) comply with all instructions of WSC and any other manufacturer in relation to the fitting, installation, service and use of the goods, and, notwithstanding such compliance, the Customer shall keep WSC fully and effectually indemnified against all costs, claims, demands, expenses and liabilities of whatsoever nature and where so ever arising, including, without prejudice to the generality of the foregoing, claims for damage to property and consequential loss (including loss of profit) which may be made against WSC or which WSC may sustain, pay or incur arising out of or in connection with the supply, fitting, installation or use of the goods.

### 9. FORCE MAJEURE

If WSC is prevented from fulfilling any order within a reasonable time by reason of a force majeure of any cause beyond its reasonable control including, without prejudice to the generality of the foregoing war, threat of war, riots, civil commotion, act of God, government, terrorist activities, strikes, lockouts, industrial action, accident technical problems with transportation, natural disaster, storm, flood, fire, earthquake, delay in delivery to WSC of any goods or materials or interruption of transport it shall be under no liability to the Customers and shall be entitled to its option (to be notified in writing to the Customer) either to cancel any contract to which these Conditions apply or without any liability, to extend the time or times for delivery or otherwise performing such contract by a period at last equivalent to that during which such delivery or performance has been extended by any of the restrictions hereinbefore referred to.

### 10. DEFAULT AND CUSTOMER INSOLVENCY

If there is any default or breach of any of the Customer's obligations hereunder or in any payments due under any contract of sale to which these Conditions apply or if any distress, execution or other legal process is levied upon the Customer's property or if the Customer shall make or offer to make any arrangement or composition with creditors or commit any act of bankruptcy or if any petition or receiving order is presented or made against the Customer or, if a company, any resolution or petition to wind it up shall be passed or presented or a receiver of all or any of its assets shall be appointed then (without prejudice to other remedies) in any such case WSC may determine such contract or cancel any outstanding delivery or stop any products in transit and notwithstanding any other provisions.

### 11. REMEDIES

Termination of any contract to which the Conditions apply for whatever causes shall not affect the rights or remedies of either party in respect of any antecedent breach or in respect of any sum of money owing or to become owing by the other.

### 12. ASSIGNMENT

The Customer shall not assign or transfer or purport to assign or transfer any contract to which these Conditions apply or the benefit thereof to any person whatsoever.

### 13. ALL DEPOSITS

All deposits and interim payments are strictly non refundable and non transferable.

### 14. LAW

Any contract to which these apply shall be governed by and construed in accordance with the laws of England.

### 15. HEADINGS

The headings shall not affect the meaning or Interpretation of these Conditions.

### 16. CONSUMER SALES

Nothing in these Conditions shall affect the statutory rights of any person dealing with WSC as a consumer.



### ***Warranty***

New parts and accessories are covered by a twelve-month exchange scheme (labour not included). If you should have any problem with items bought from Westfield Sportscars, please contact us immediately so that we can agree with you the most convenient and fastest way to get matters resolved.

### ***Responsible Driving***

Westfield cars are high performance cars and we recommend advance driving instruction. Contact us for details of courses that are available.

Any reference in this brochure to High Performance or speed is not encouragement to drive at speeds in excess of legal limits or without due care and consideration for other road users. If you want to find out what you and the car can do then go to a track! Its lots of fun, very easy to access and much safer.

### ***Published by WESTFIELD SPORTS CARS LTD.***

First Published 2006; Copyright • 2006; Westfield Sports Cars Ltd. All rights reserved. Apart from any fair dealing for the purposes of private study, research, criticism or review, as permitted under the Copyright, Design and Patents Act 1988, no part of this publication may be reproduced, stored in a retrieval system, or transmitted in any form or by means electronic, electrical, chemical, optical, photocopying, recording or otherwise without prior written permission.

All enquiries should be addressed to the publisher.

Westfield Sportscars reserves the right to change prices without prior notice.

Westfield Sportscars is constantly seeking ways to improve specification, design and production of its products and alterations take place continually. While every effort is made to produce up to date literature, this brochure should not be regarded as an infallible guide.



**Westfield Sportscars Ltd**

Unit 1 • Gibbons Industrial Park • Dudley Road • Kingswinford • West Midlands • DY6 8XF

T: 01384 400077 • E: [info@westfield-sportscars.co.uk](mailto:info@westfield-sportscars.co.uk)

W: [westfield-sportscars.co.uk](http://westfield-sportscars.co.uk)